



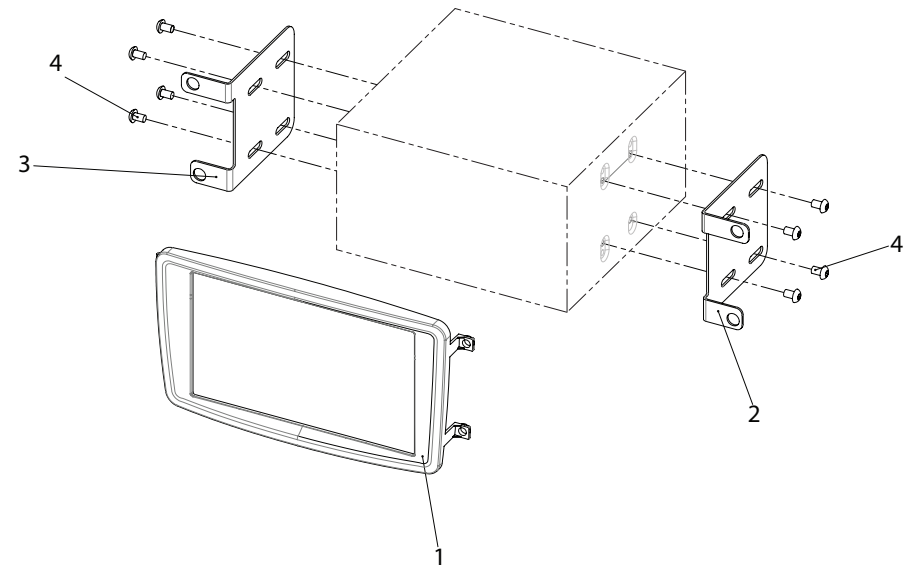
Installation Manual

2-DIN	381190-42-1
2-DIN with pocket	281190-42-1
2-DIN with Inbay-pocket	241190-42-1

Mercedes C-Class (W203) 05/2000 - 03/2004
Mercedes C-Class T-Model (S203) 01/2001 - 03/2004
Mercedes C-Class Coupé (CL203) 10/2000 - 03/2004
Mercedes CLK (C209) 06/2002 - 03/2004
Mercedes CLK (A209) Cabriolet 02/2003 - 03/2004
Mercedes Vito/Viano (W639/V639) 10/2003 - 03/2006

Compatible with double DIN devices

Double DIN Navigation



Double DIN Set contents

- (1) Facia Plate
- (2) Mounting Bracket left
- (3) Mounting Bracket right
- (4) Flat Headed Screw



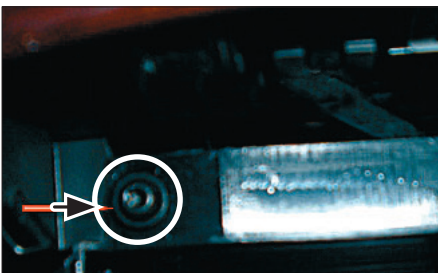
1. Mercedes C-Class with OEM head unit.



2. Remove panel by lifting it up.

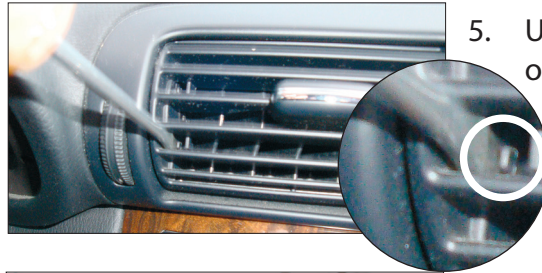


3. Remove the ash tray unit which is held by 2 clips.

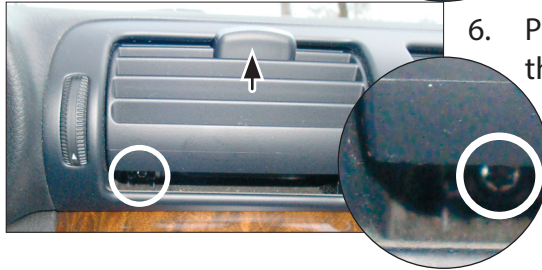


4. Remove the 2 screws, located under the air conditon control switches.

*All installation work must be performed by a qualified professional installer only.
The manufacturer / dealer is not liable for any kind of incidental or indirect damages.*



5. Unclip the air vent unit carefully on both sides with a screw driver.

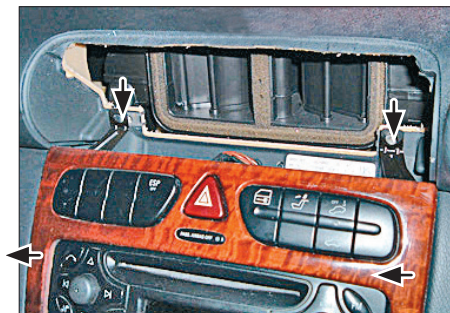


6. Pull up the air vent and remove the 2 screws (left and right) which become visible.



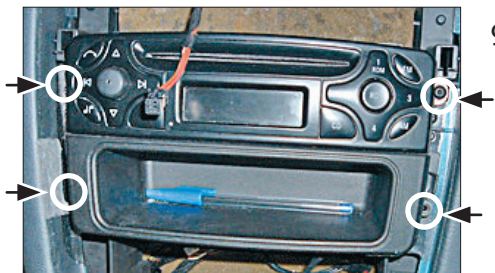
7. Pull down the air vent and unclip the whole unit at both sides carefully with a screw driver.

Remove the air vent unit.



8. Remove screws on top of center panel

Remove center panel by pulling it towards your direction



9. Remove four Torx screws (2 on each side) holding the OEM head unit.

Unplug all cables carefully
Remove OEM head unit.

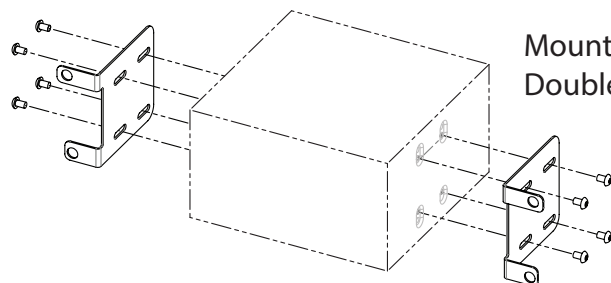


11. Connect all required circuit points. Place head unit in dash board

Place fascia plate and fix it with the OEM screws (see step 9)

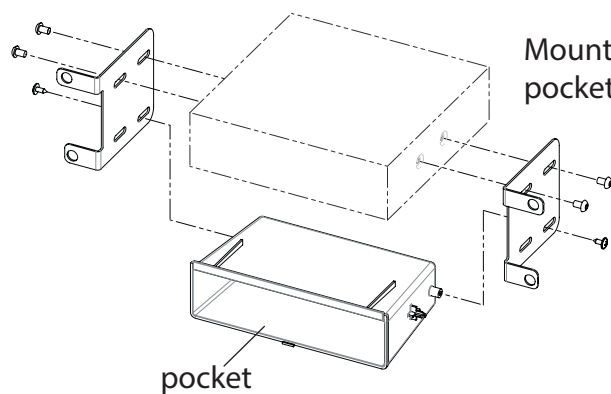
Reinstall everything in reverse order to finish installation

10. 2-DIN head unit install



Mount mounting frames to Double-DIN head unit

1-DIN head unit install



Mount mounting frames and pocket to 1-DIN head unit

pocket

*All installation work must be performed by a qualified professional installer only.
The manufacturer / dealer is not liable for any kind of incidental or indirect damages.*