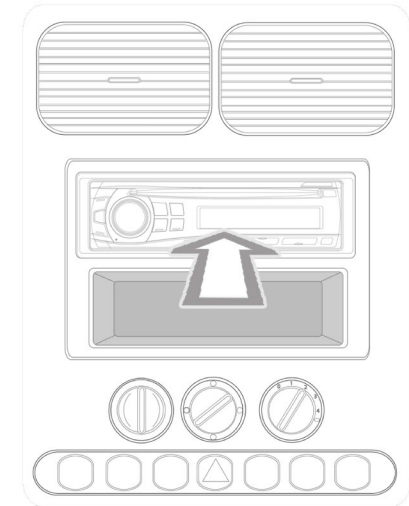
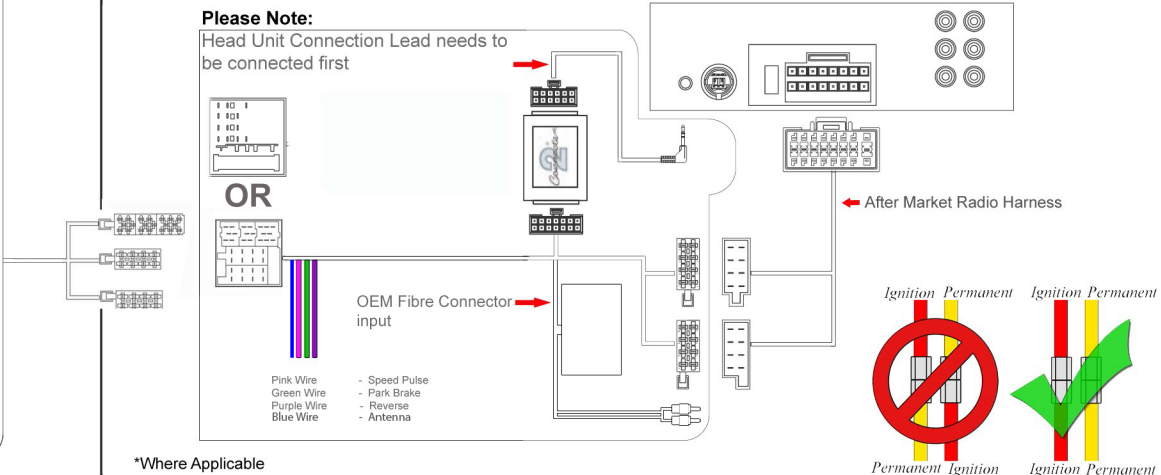
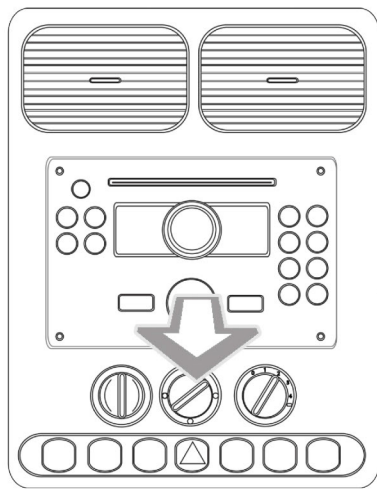


Installation Guide



Part No: **CT51-P003**

Porsche Fibre Amp Active System Adapter



Vehicle Compatibility:

Steering Wheel Control Functions

Porsche Cayenne 2002 > 2010

Vehicles with 36 Way ISO Connector (normally 2002 -2007) & Vehicles with Quadlock connector (normally 2007 - 2010)

Both leads are supplied, just use one or the other depending on vehicle fitment

* Note All Dates are guide lines only as specifications of vehicles change