



Installation Manual INE-W928R Kit

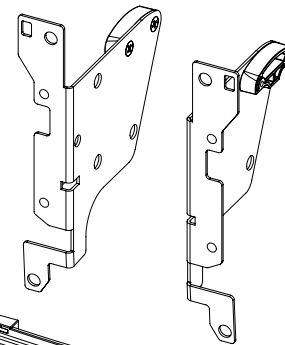
- Mercedes A-Class (W169) 2005->
- Mercedes B-Class (T245) 2005->
- Mercedes Viano / Vito (W639 / V639)

colour: black
KIT-8MB / KIT-8MBF
KIT-8MBI / KIT-8MBM

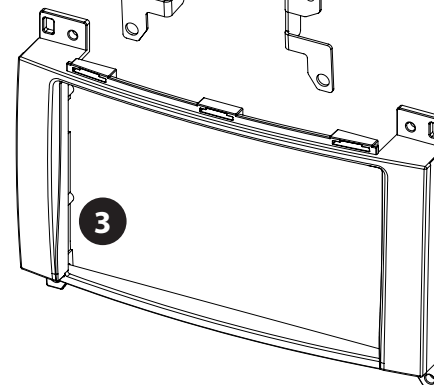
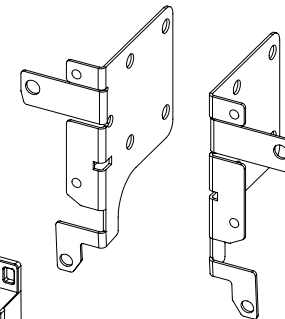
Compatible with these Alpine navigation devices

INE-W928R

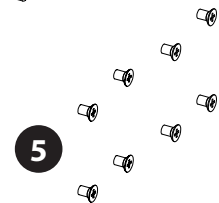
1 Mounting Frames for
A-Class / B-Class



2 Mounting Frames for
Viano / Vito



4

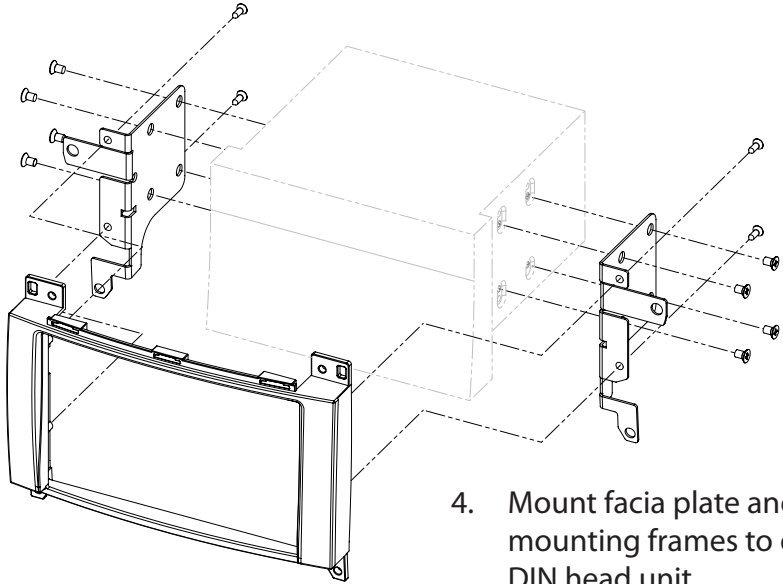


5

- (1) Mounting Frames for A-Class / B-Class
- (2) Mounting Frames for Viano / Vito

- (3) Facia plate
- (4) countersunk flat head tapping screw
- (5) recessed countersunk flat head screw

Mercedes Viano / Vito



4. Mount fascia plate and mounting frames to double DIN head unit

Connect all required circuit points and push double DIN head into dash board

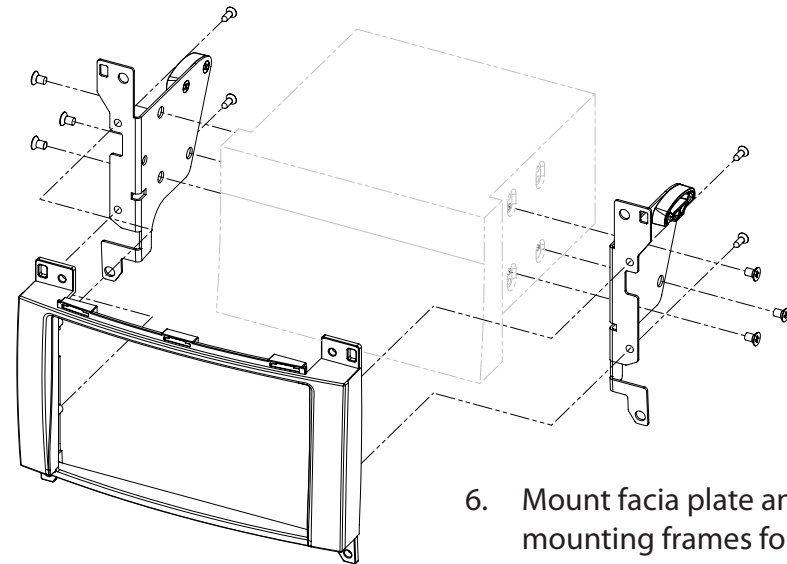


5. Clip OEM trim panel on dash board to finish installation

Mercedes A-Class / B-Class



5. Remove four torx screws
Remove OEM head unit



6. Mount fascia plate and mounting frames for A-Class / B-Class to Alpine INE-W928R

Mercedes A-Class / B-Class



7. Connect all required circuit points and push double DIN head into dash board

Reinstall everything in reverse order to finish installation.

Mercedes Viano / Vito

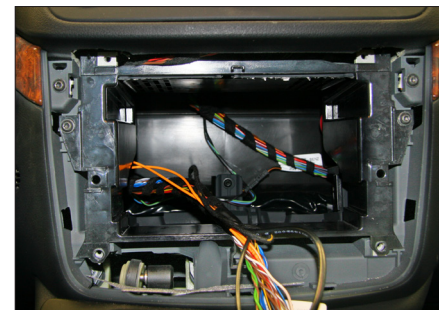


1. Vehicle with OEM head unit.

Remove OEM trim panel surrounding the radio.



2. Remove the four screws at the top and bottom of OEM head unit.



3. Remove the OEM head unit.

*All installation work must be performed by a qualified professional installer only.
The manufacturer / dealer is not liable for any kind of incidental or indirect damages.*