



7. Reinstall OEM cage

Connect all required circuit points. Mount INE-W928R to dash board. Fix it with 4 screws (see arrows).



8. Place facia plate on dash board



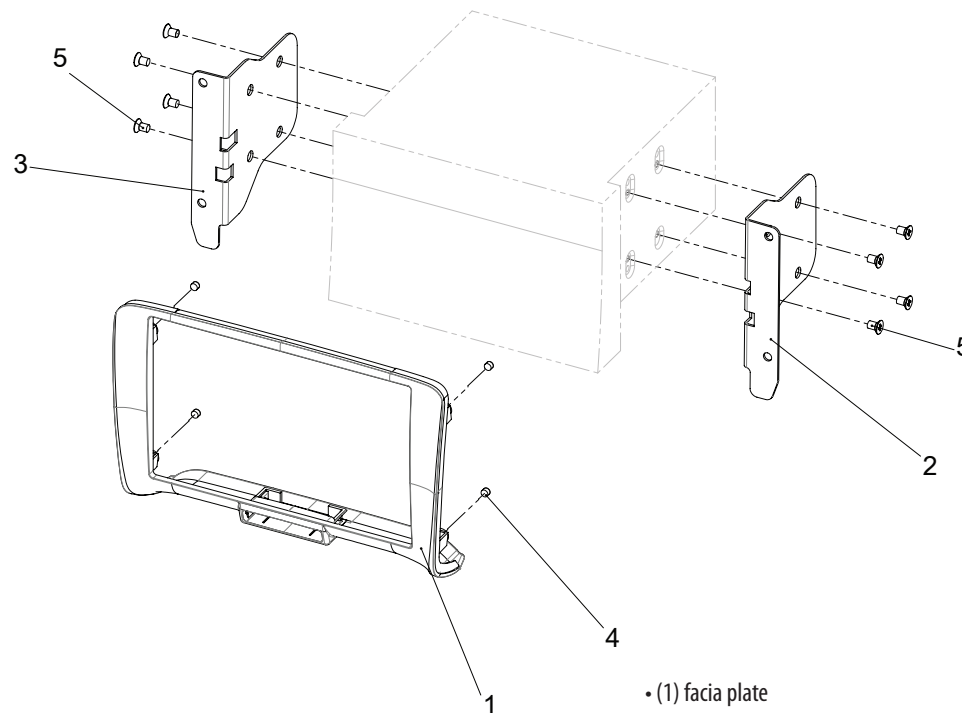
**Installation Manual  
INE-W928R Kit**

• Audi TT (8J) 04/2006->

colour / part-no.:  
black: KIT-8TT

Compatible with these Alpine navigation devices

**INE-W928R**

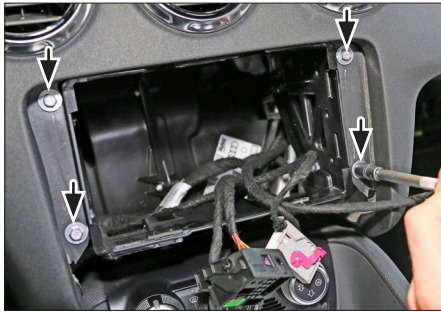


- (1) facia plate
- (2) mounting bracket right
- (3) mounting bracket left
- (4) recessed countersunk flat head screw

*All installation work must be performed by a qualified professional installer only.  
The manufacturer / dealer is not liable for any kind of incidental or indirect damages.*



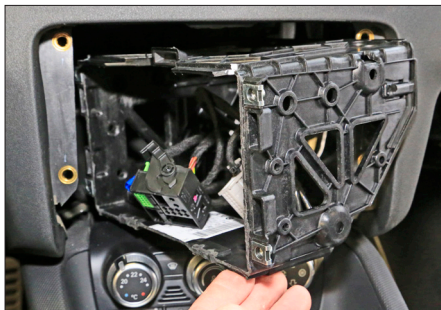
1. Remove OEM head unit with radio release keys



2. Remove all four front screws (see arrows)



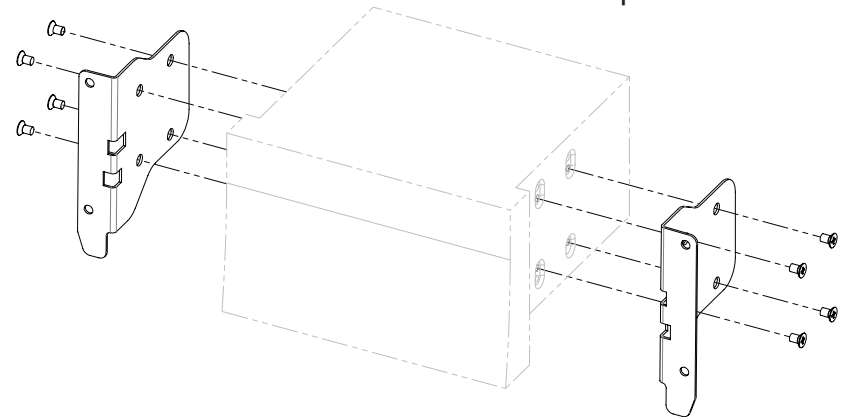
3. Remove all screws of OEM cage



4. Remove OEM cage



5. Cut along OEM cage in order to clear space for Alpine INE-W928R



6. Mount mounting frames to Alpine INE-W928R